



SW3



2 speed Hydrostatic Drive providing superb climbing ability.

Robust steel construction a match for the toughest conditions.

High powered fuel efficient engines.

Dealer :

FOURWHEEL DRIVE DUMPER

CAPACITY:

Max Safe Load	3000kg
Heaped	1738L
Struck	1247L
Water	976L

ENGINE:

Make	Kubota
Model	V2203-M-E2B-EU-X3
Type	4 stroke compression ignition
Displacement	2197cc
No Cylinders	4 in line
Max power	35 KW @ 2600 rpm
Max Torque	146Nm @ 1700 rpm
Fuel	Diesel

TRANSMISSION:

Hydrostatic through drive system.
2 speed forward and reverse
Permanent 4 wheel drive

DRIVE CHARACTERISTICS:

Forward / Reverse	1st	0-13 km/h (0-8mph)
	2nd	0-20 km/h (0-12.5mph)

Steering angle:	+/- 33°
Turning Circle:	8.8m
Grade-ability:	50%
Tyres:	11.8/80-15.3(traction profile)

Steering:	Priority load sensing hydrostatic centre pivot
Working brakes:	Multi-plate oil immersed discs mounted on front axle
Park brake:	Hand operated, locking on a dry disc acting on drive motor

NOISE LEVELS:

LWA	101 dB (A)
LPA	83 dB (A)

TANK CAPACITIES:

Fuel:	43L
Hydraulic:	43L

SKIP:

Hydraulically operated tipping skip
Skip swivels 180° for easy placement when driving along trenches
Automatic safety lock to hold skip in a central position when travelling
Heavy duty fully welded skip with 6mm thick steel base, reinforced
Upper side walls for greater strength
Operated by a multi axis joystick for increased performance

ELECTRICAL INSTALLATION:

Battery Type 096 (12V; 75 Ah, 650 CCA)
Wiring harness in protective sleeving
Reversing alarm

HYDRAULICS:

Hydraulic test points fitted as standard
Easy access to return oil filter on top of tank

SEATING & CONTROLS

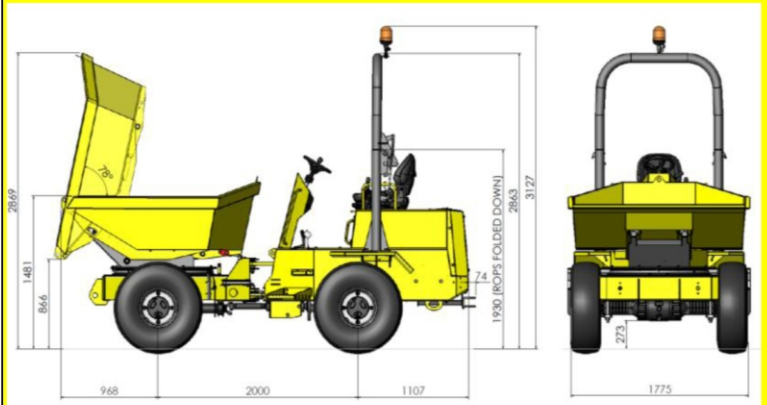
Adjustable suspension seat accessible from both sides
Clear access across dumper via galvanised steps
Extra wide brake pedal
Super bright warning lights on fully featured display instrument
Steel constructed centre console for extra leg protection
Column mounted directional control lever with speed change
Heater vent at foot level
Anti-slip floor

SERVICE ACCESS:

Easy access for service & maintenance
Lockable hinged engine cover
Battery mounted inside the engine bay

We reserve the right to change the above specification without prior notice

SW3



FEATURES:

Unrivalled operator accessibility and comfort
Power swivel skip enabling discharge either side
Excellent rough terrain performance from permanent 4-wheel drive
Heavy duty construction
Column operated forward and reverse directions with acceleration by foot pedal
Simple and safe operation, drive direction on the steering column
Heavy duty centre console for leg protection
Simple instrument panel including fuel gauge, hour meter, warning lights for parking brake, oil temperature, oil pressure, engine temperature
Folding ROPS as standard
Easy access to engine compartment for service and maintenance
Recovery bracket as standard
47 HP engine / 35KW
Excellent power to weight ratio
Theft deterrent CESAR Datatag system as standard
Ample ground clearance
Excellent turning circle
Skip swivels through 180° for easy placement of load when driving along trenches
Reversing alarm standard
Handbrake safety device – will not move until released
Adjustable suspension seat
Flashing beacon

OPTIONAL EQUIPMENT

Road Light Kit
Spare Wheel
Biodegradeable Hydraulic Oil
FOPS Roof
Skip Manufactured from ST52 or Hardox
Cab



NC Engineering (Hamiltonsbawn) Ltd
2 Killyrudden Road, Hamiltonsbawn
Richhill, Co Armagh
Northern Ireland BT61 9SF
Tel: +44 (0) 28 3887 1970
Fax: +44 (0) 28 3887 0362

Email: sales@nc-engineering.com
Web: www.nc-engineering.com